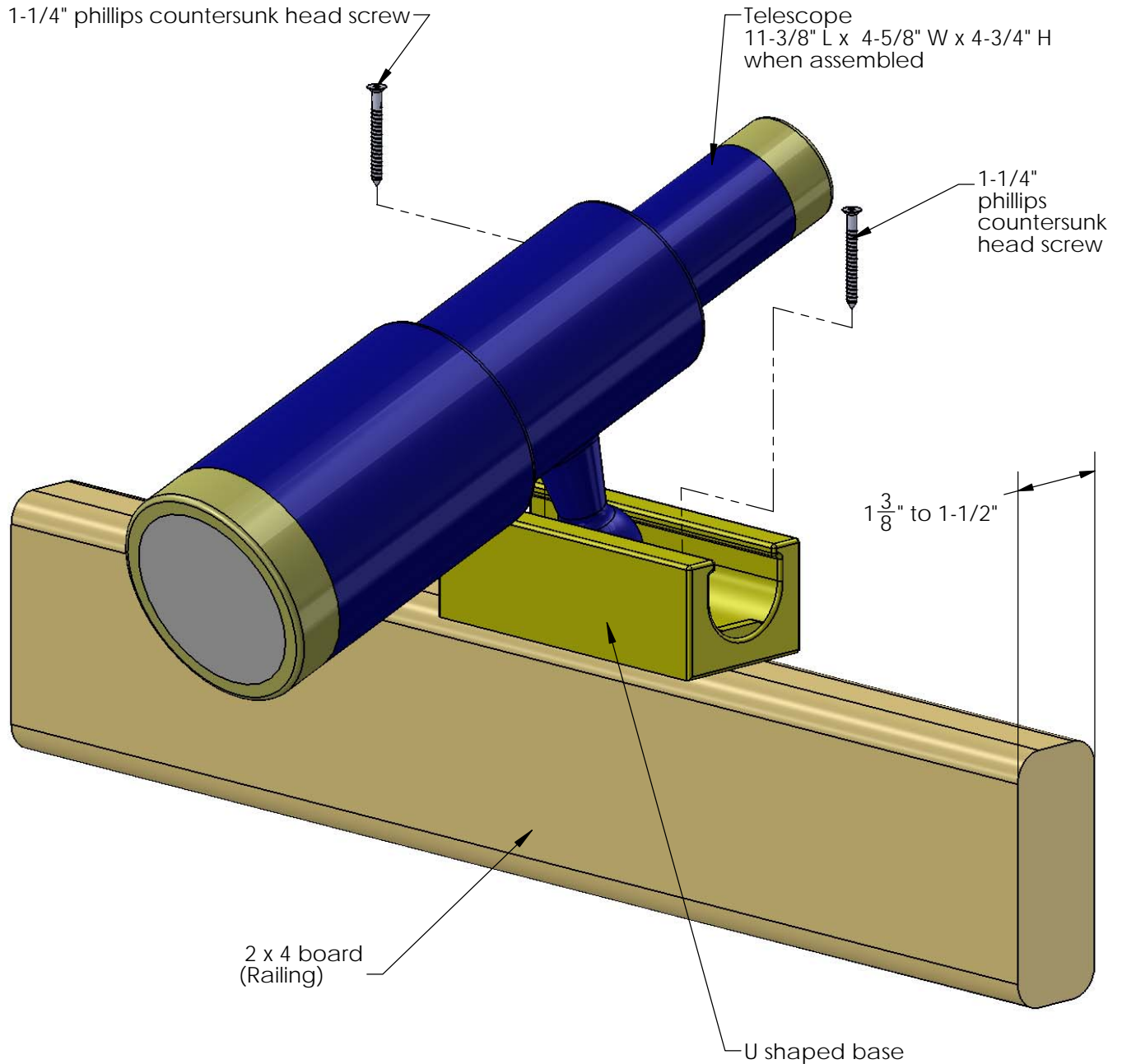


Looney Telescope (07-0020)

Mounting to 2 x 4 board

1: Place the U-shaped base on top of a 2 x 4 or larger width railing. Fasten the base to the railing with the 1-1/4" phillips countersunk head screws provided.



!WARNING! **DO NOT LOOK INTO SUN OR OTHER BRIGHT LIGHTS WITH TELESCOPE**

Please note: Telescope does not magnify objects. Telescope is intended for make-believe play by children.

FOR RESIDENTIAL USE ONLY
FOR CHILDREN AGES 3-11