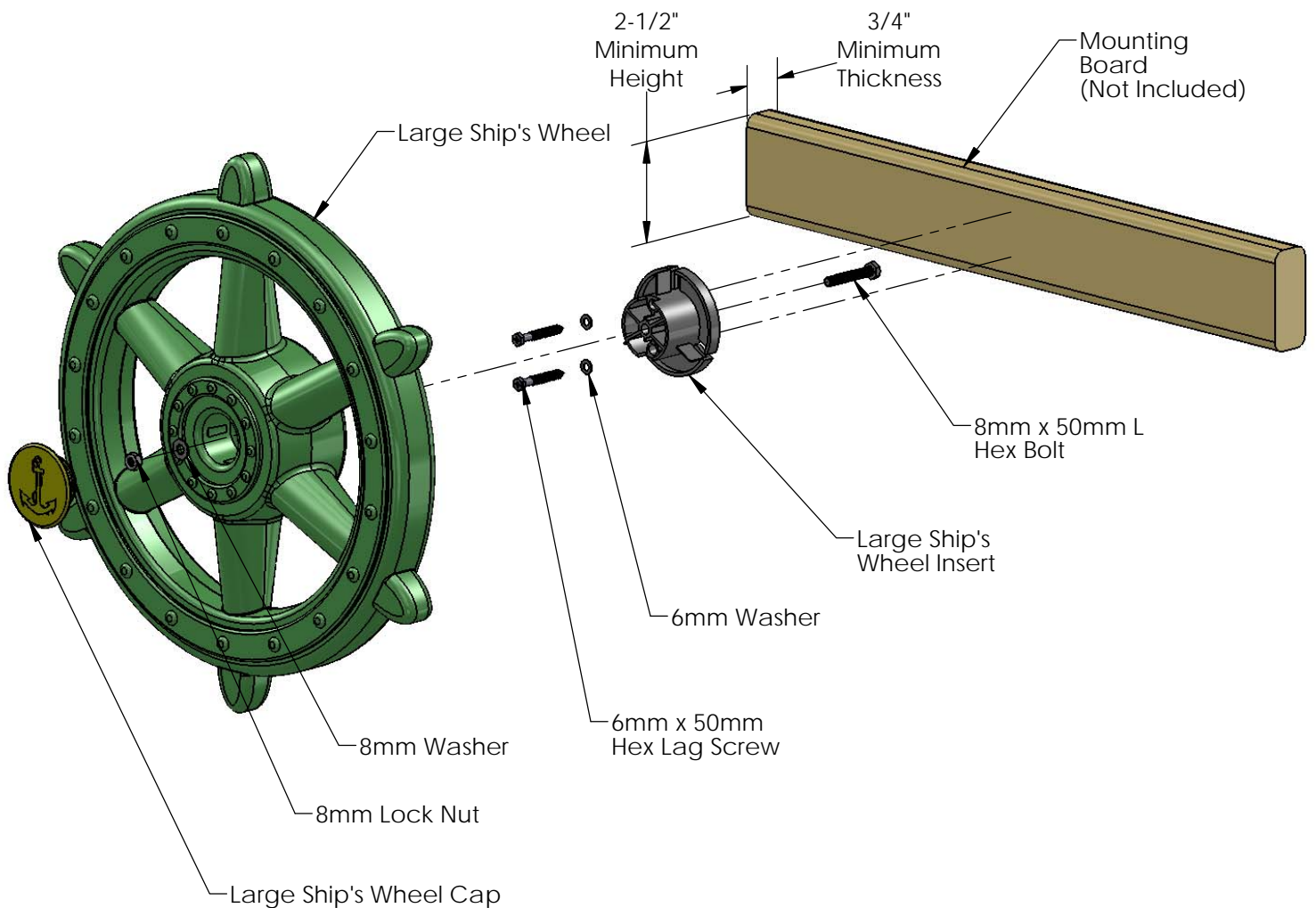


Large Ship's Wheel (07-0015)

1. Place the 8mm x 50mm L hex bolt into the hex recess in the back side of the Large Ship's Wheel Insert.
2. Place the Large Ship's Wheel Insert against the board where it will be mounted. Please note the board must be at least 3/4" thick and should be at least 2-1/2" high. (We recommend mounting the Large Ship's Wheel to a 2 x 4 if possible.) If your board is only 3/4" thick make sure the lag screws will not penetrate the other side. If the lag screws penetrate the other side then file the tips of the screws down so they are flush with the back side of the mounting board.
3. Attach the Large Ship's Wheel Insert to the board with two 6mm x 50mm L hex lag screws and two 6mm washers.
4. Place the Large Ship's Wheel over the Large Ship's Wheel insert.
5. Fasten the Large Ship's Wheel to the Large Ship's Wheel insert with the 8mm washer and 8mm lock nut. (Do not overtighten the nut or the Large Ship's Wheel will not turn.)
6. Place the Large Ship's Wheel Cap over the center of the Large Ship's Wheel and snap it into place.



Please note: Large Ship's Wheel is intended for make-believe-play by children.

FOR RESIDENTIAL USE ONLY
FOR CHILDREN AGES 3-11